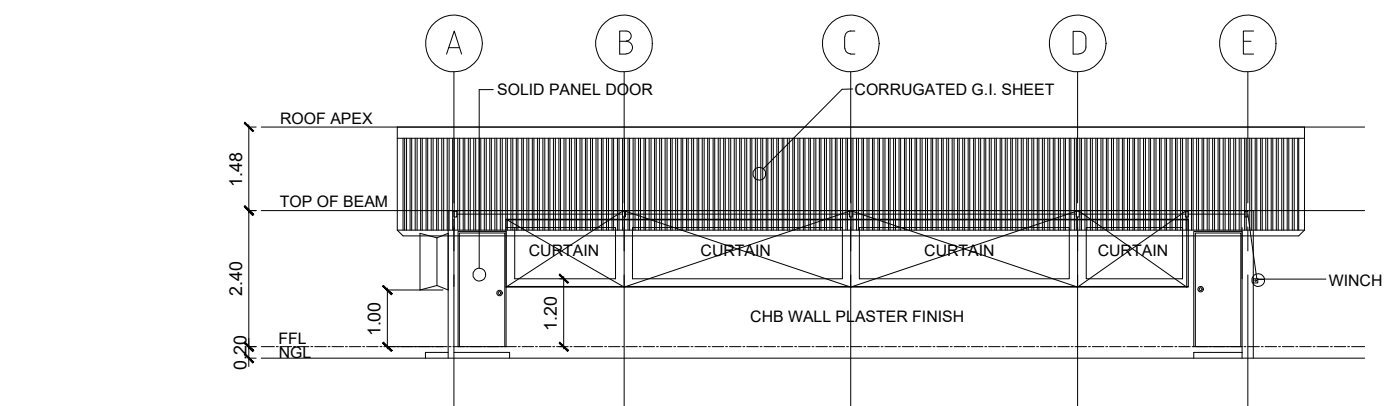
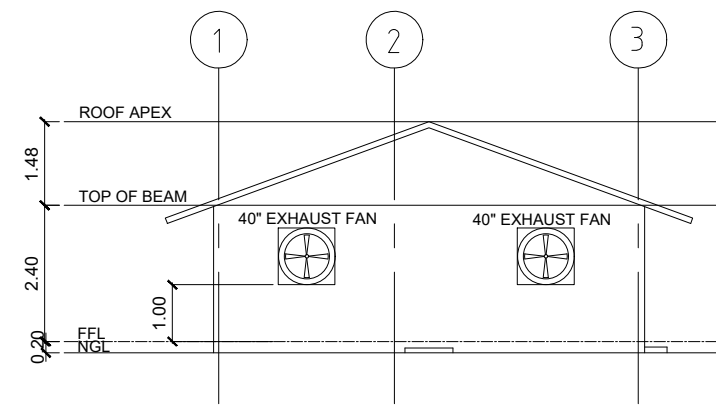


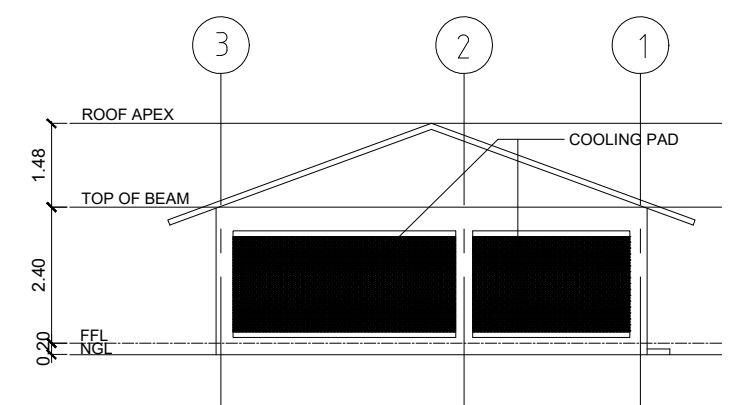
1 GROUND FLOOR PLAN
SCALE 1:75 M.



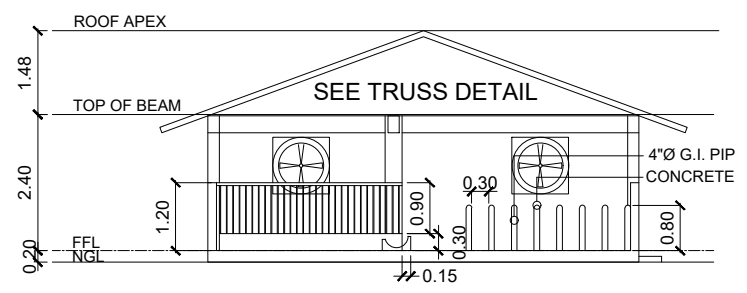
2 FRONT ELEVATION
SCALE 1:75 M.



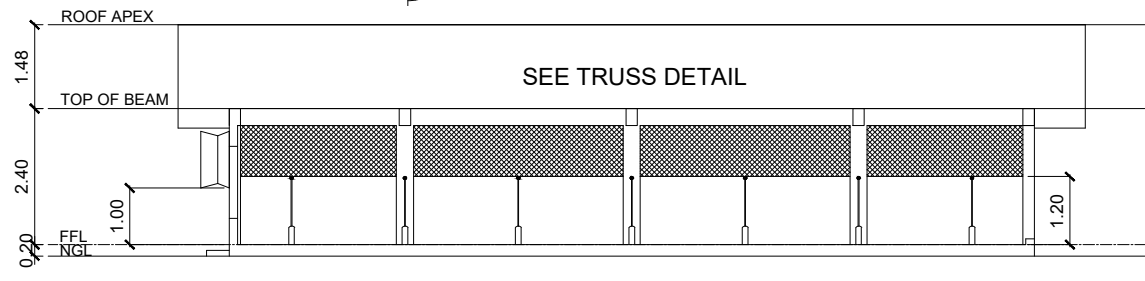
3 LEFT ELEVATION
SCALE 1:75 M.



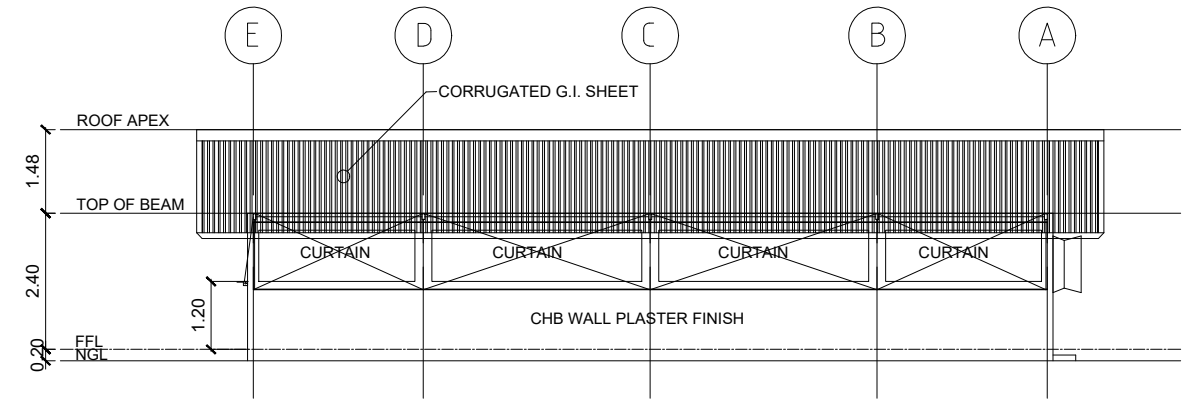
4 RIGHT ELEVATION
SCALE 1:75 M.



6 CROSS SECTION
SCALE 1:75 M.

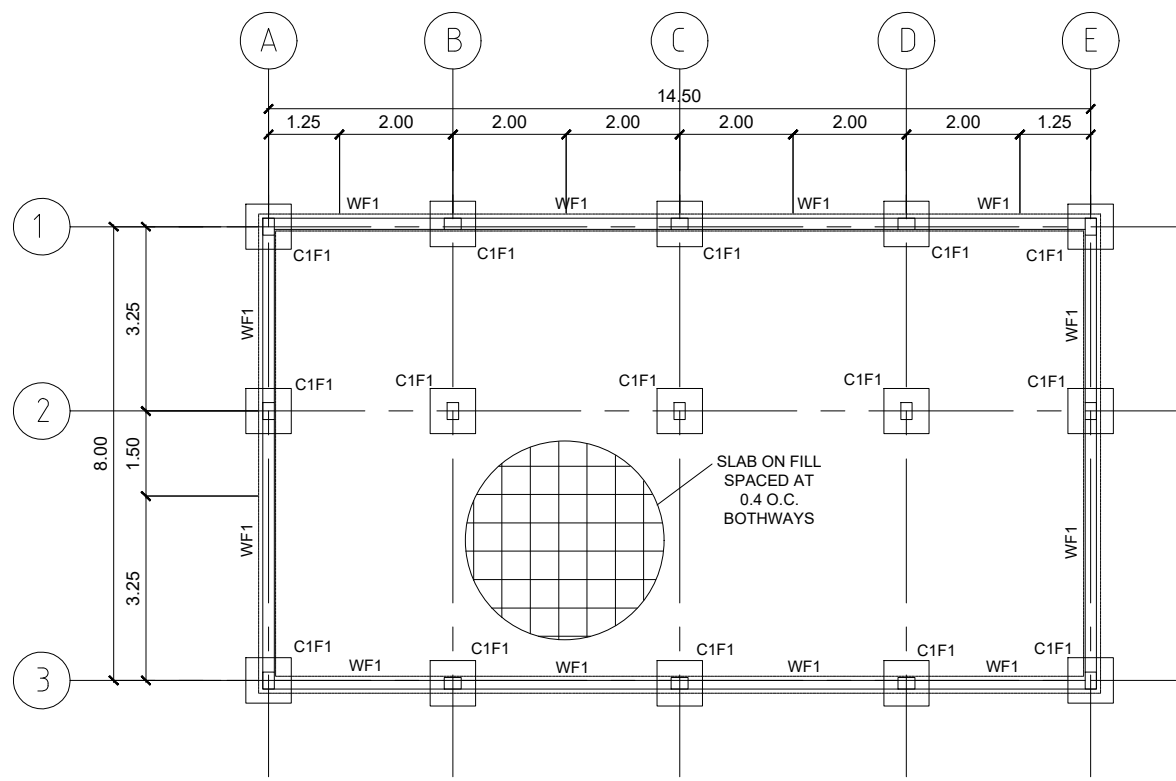


7 LONGITUDINAL SECTION
SCALE 1:75 M.

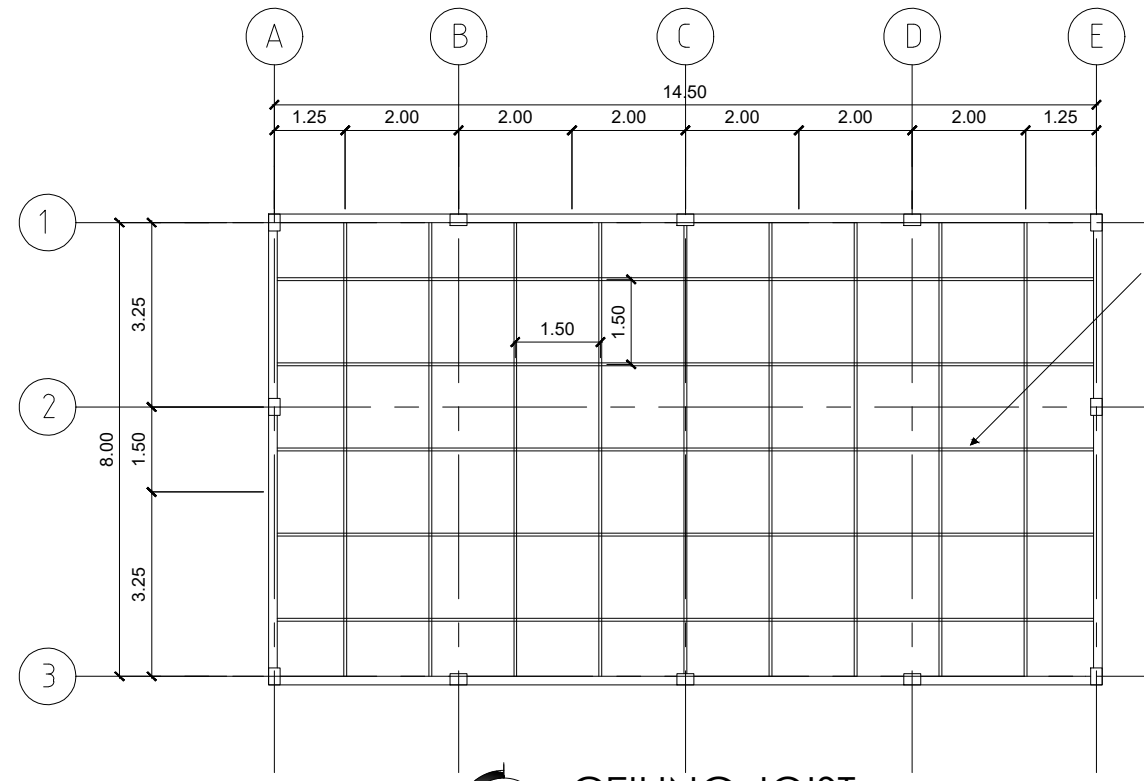


5 REAR ELEVATION
SCALE 1:75 M.

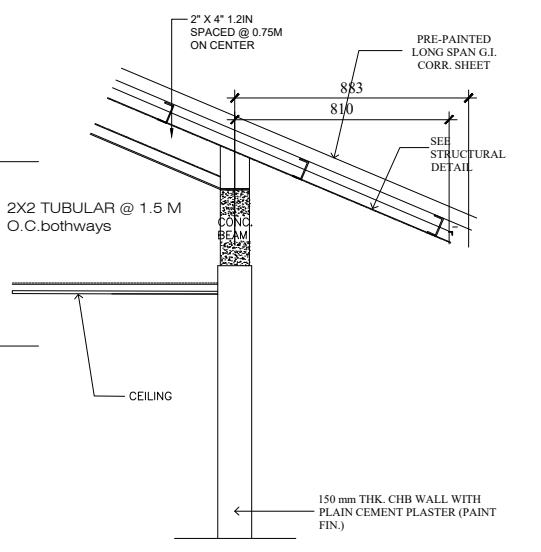
THESE DRAWINGS ARE THE SOLE PROPERTY OF THE ARCHITECT. NO COPIES, SIMILAR REPRODUCTIONS, ALTERATIONS AND/OR REVISIONS OF ANY KIND ARE TO BE DONE, IN PART OR IN WHOLE TO ANY OF THESE DOCUMENTS, W/O CONSENT FROM THE ARCHITECT.	ENGINEER	PRC. NO.	PROJECT TITLE	OWNER	APPROVED BY	APPROVED BY	NO.	REVISIONS	DATE	SHEET CONTENT	PROJECT NO.
			Swine AI Sa Barangay (SWAIB) Project			DR. JAYVEE BRYAN G. CARILLO				AS SHOWN	
	PTR. NO.	DATE	LOCATION :	ADDRESS :		CENTER DIRECTOR					SHEET NO.
	TIN	PLACE				ATI - RTC 1					A 2



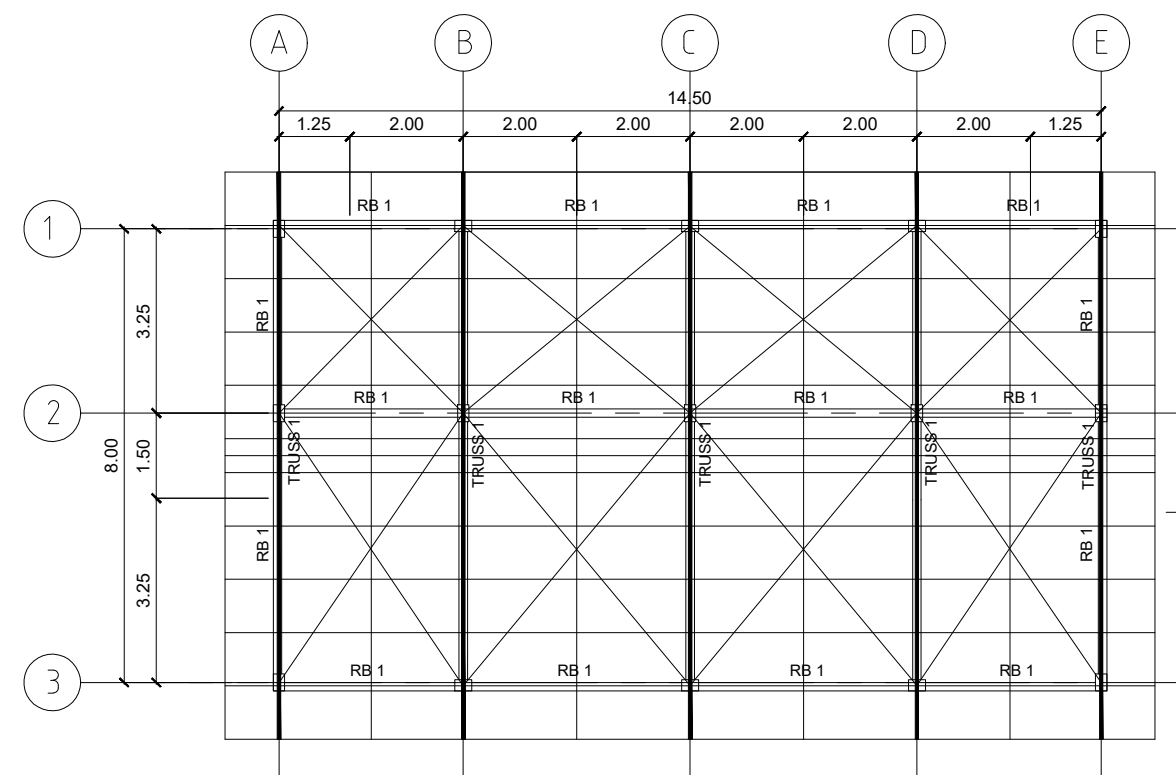
1 FOUNDATION PLAN
SCALE 1:75 M.



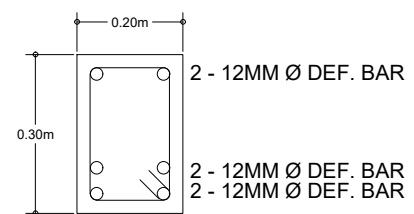
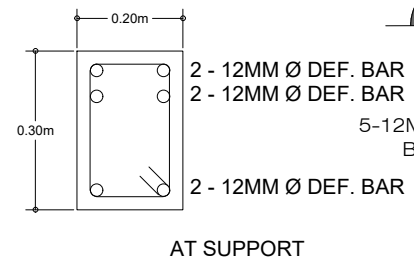
3 CEILING JOIST
SCALE 1:75 M.



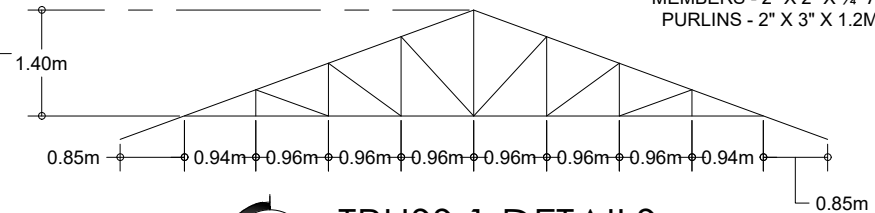
4 BAY SECTION
SCALE NTS.



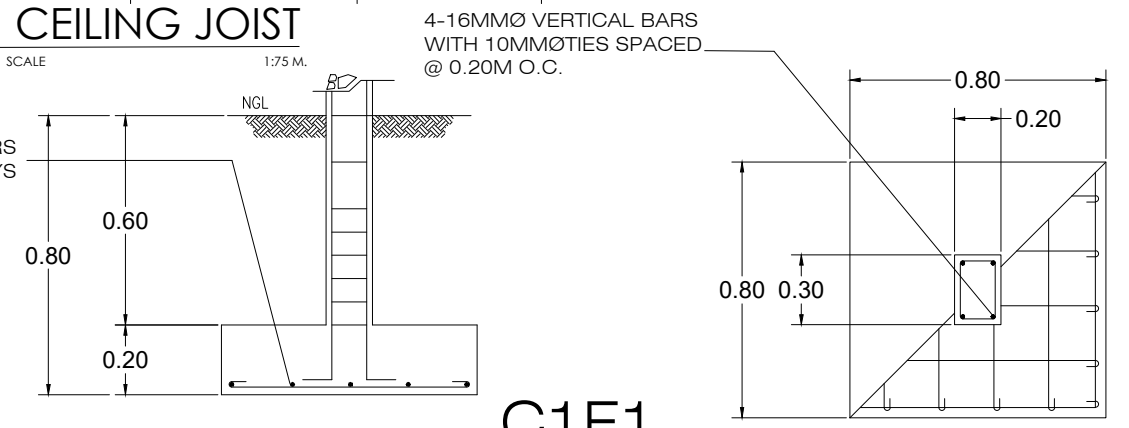
2 ROOF FRAMING PLAN
SCALE 1:75 M.



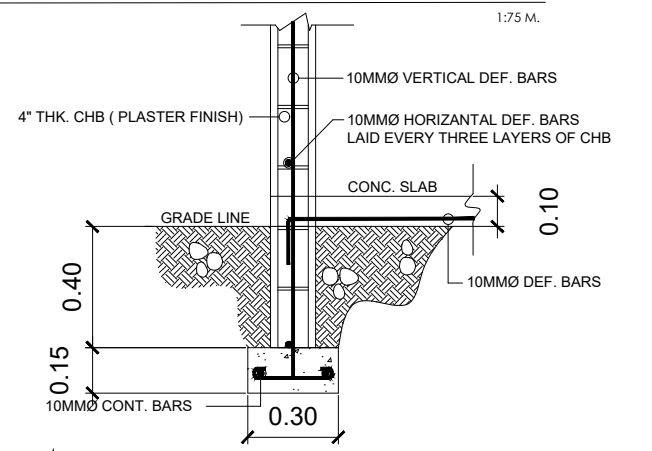
5 ROOF BEAM DETAILS
SCALE 1:10 M.



7 TRUSS 1 DETAILS
SCALE 1:10 M.

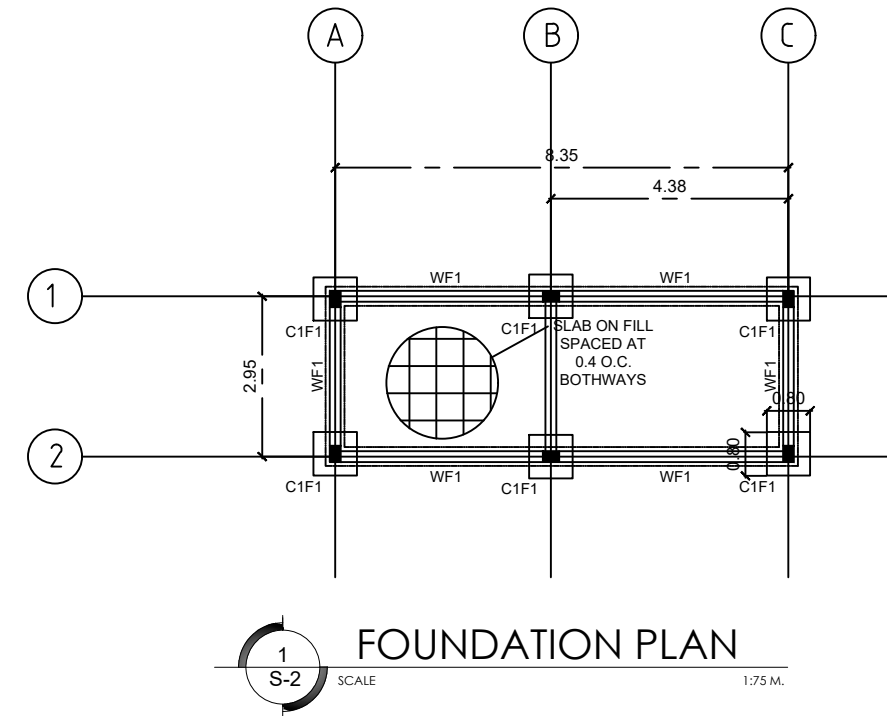
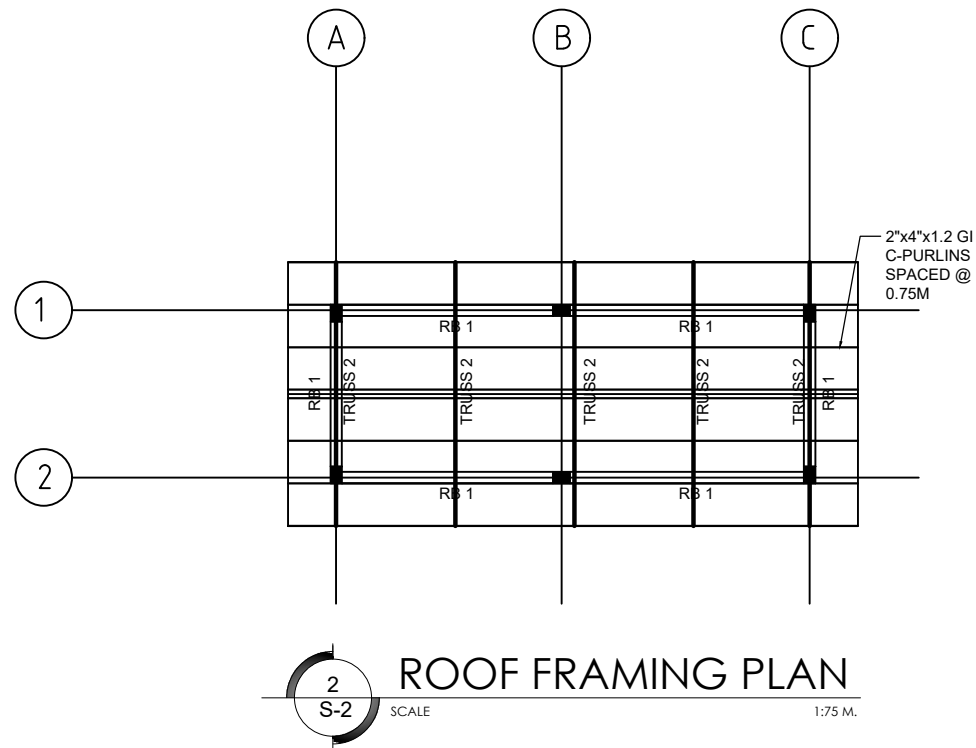


6 C1F1 COLUMN AND FOOTING DETAIL
SCALE 1:75 M.

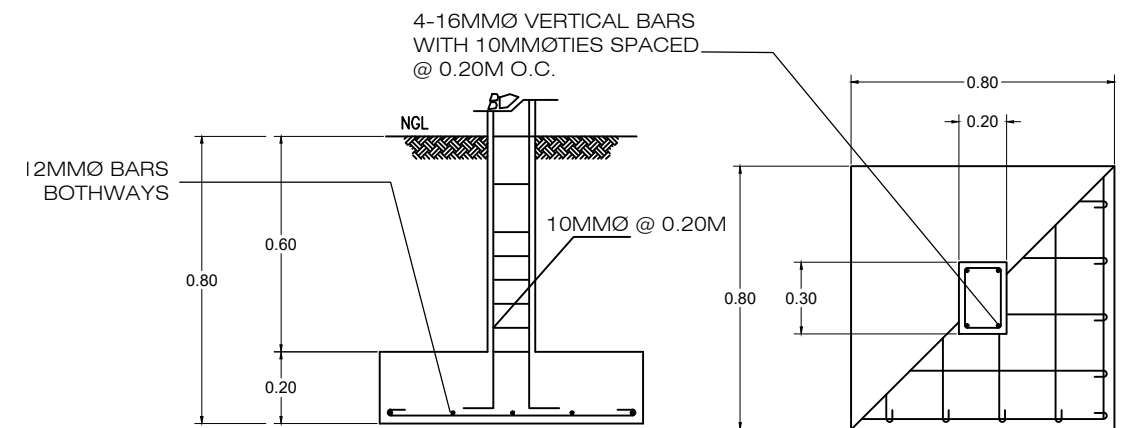
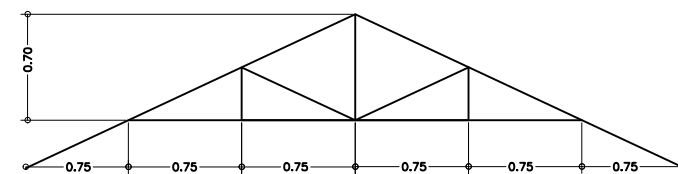
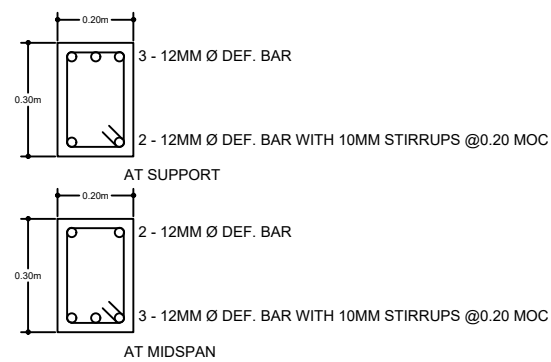


1 WALL FOOTING DETAIL
SCALE 1:40 M.

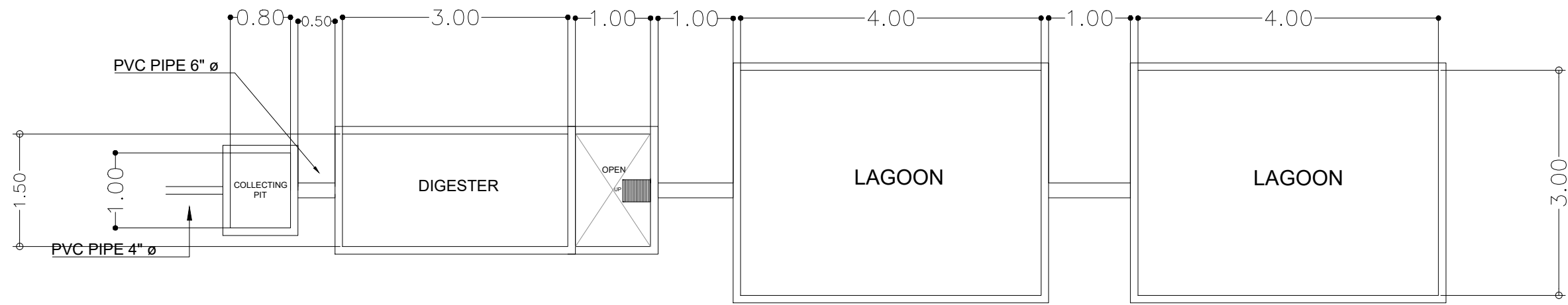
<p>THESE DRAWINGS ARE THE SOLE PROPERTY OF THE ARCHITECT. NO COPIES, SIMILAR REPRODUCTIONS, ALTERATIONS AND/OR REVISIONS OF ANY KIND ARE TO BE DONE, IN PART OR IN WHOLE TO ANY OF THESE DOCUMENTS, W/O CONSENT FROM THE ARCHITECT.</p>	ENGINEER	PRC. NO.	PROJECT TITLE	OWNER	APPROVED BY	APPROVED BY	NO.	REVISIONS	DATE	SHEET CONTENT	PROJECT NO.
			Swine Al Sa Barangay (SWAIB) Project			DR. JAYVEE BRYAN G. CARILLO				AS SHOWN	SHEET NO.
	PTR. NO.	DATE	LOCATION :	ADDRESS :		CENTER DIRECTOR					S
	TIN	PLACE				ATI - RTC 1					1



SCHEDULE OF FOOTING					SCHEDULE OF COLUMN					
MARK	S I Z E			THICKNESS	REBARS	MARK	S I Z E			
	A	X	B				L	X	W	REBARS
F-1	0.80	X	0.80	0.30	5 - 12 mm Ø BOTHWAYS	C-1	0.20	0.30	4- 12 mm Ø	10 mm. Ø @ 0.20 m.
WF	0.40	X	CONT.	0.10	3 - 10 mm Ø BOTHWAYS					

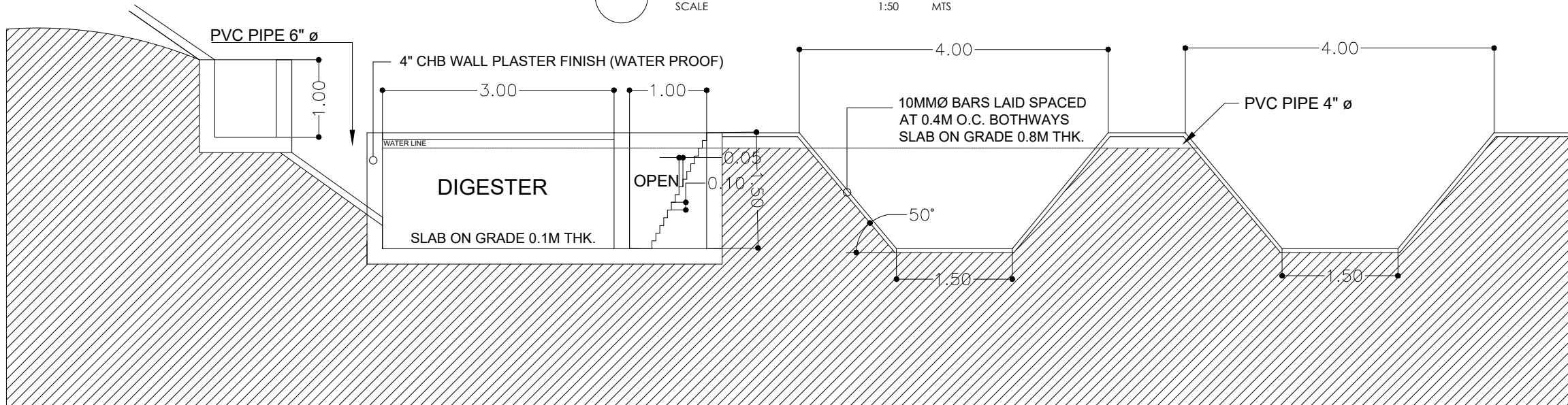


THESE DRAWINGS ARE THE SOLE PROPERTY OF THE ARCHITECT. NO COPIES, SIMILAR REPRODUCTIONS, ALTERATIONS AND/OR REVISIONS OF ANY KIND ARE TO BE DONE, IN PART OR IN WHOLE TO ANY OF THESE DOCUMENTS, W/O CONSENT FROM THE ARCHITECT.	ENGINEER	PRC. NO.	PROJECT TITLE	OWNER	APPROVED BY	APPROVED BY	NO.	REVISIONS	DATE	SHEET CONTENT	PROJECT NO.
			Swine Al Sa Barangay (SWAIB) Project			DR. JAYVEE BRYAN G. CARILLO				AS SHOWN	
	PTR. NO.	DATE	LOCATION :	ADDRESS :		CENTER DIRECTOR					SHEET NO.
	TIN	PLACE				ATI - RTC 1					S 2



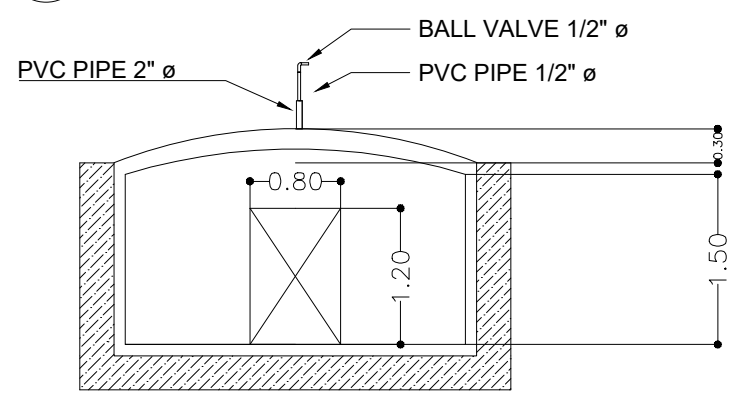
PLAN/LAYOUT

SCALE 1:50 MTS



LONGITUDINAL SECTION

SCALE 1:50 MTS



DIGESTER ELEVATION

SCALE 1:50 MTS

NOTE:
CHOOSE ONE BETWEEN
TWO TYPES OF WASTE
MANAGEMENT FOR
YOUR PROJECT

THESE DRAWINGS ARE THE SOLE PROPERTY OF THE ARCHITECT. NO COPIES, SIMILAR REPRODUCTIONS, ALTERATIONS AND/OR REVISIONS OF ANY KIND ARE TO BE DONE, IN PART OR IN WHOLE TO ANY OF THESE DOCUMENTS, W/O CONSENT FROM THE ARCHITECT.

ENGINEER	PRC. NO.	PROJECT TITLE	OWNER	APPROVED BY	APPROVED BY	NO.	REVISIONS	DATE	SHEET CONTENT	PROJECT NO.
		Swine Al Sa Barangay (SWAIB) Project			DR. JAYVEE BRYAN G. CARILLO				AS SHOWN	
PTR. NO.	DATE	LOCATION :	ADDRESS :		CENTER DIRECTOR					SHEET NO.
TIN	PLACE				ATI - RTC 1					P 3

