



Republic of the Philippines
AGRICULTURAL TRAINING INSTITUTE
Regional Training Center XIII
Los Angeles, Butuan City
Mobile No. Globe 09369010366 / Smart 09293546355

REQUEST FOR QUOTATION

Date: **23 MAY 2023**
Quotation #: **23-05-321**

Name of Company _____
Address _____
TIN No. _____

Please quote your best offer for the items/s described herein, subject to the Terms and Conditions provided, stating the shortest time of delivery and submit your quotation duly signed by your representative not later than **29 MAY 2023** in the attached envelope and return it sealed.

VIOLETA T. LAGUNA
BAC Chairperson

ITEM No.	ITEM & DESCRIPTION	BRAND MODEL	UNIT	QUANTITY	UNIT COST	TOTAL COST
1	Labor and Materials for the construction of 1 unit of Vegetables Nursery with 3x5 dimensions (please see attached Program of works and details) Site location @ Tandag City		site	3		
	<i>note:</i> 1. Please refer to NUPAP point person Engr. Matt Andrew Baquiano for further details and dimensions @ 09127565731 2. Please include consideration of the area for implementation at Tandag City.					
	XX					
	Requisitioner: ENGR. MATT ANDREW G. BAQUIANO					

PR No. **23-05-440**

ABC: **200,000.00**
Source of fund: _____

- Note:
1. **Price validity** shall be for a period of _____ calendar days
 2. All entries must be typewritten or legibly written in ink.
 3. Warranty shall be for a period of six (6) months for supplies & materials, one (1) year for equipment from date of acceptance by procuring entity.
 4. Documentary requirements to be submitted along with your quotation:
 - 4.1 PhilGEPS Registration Number/Certificate
 - 4.2 Mayor's/Business Permit
 - 4.3 Income/Business Tax Return
 - 4.4 Omnibus Sworn Statement -Duly Notarized - form can be downloaded in the ATI-RTC13 website
 - 4.5 PCAB Lic. (Infra)

After having carefully read and accepted your Terms and Conditions, I/We quote on the item at prices noted above.

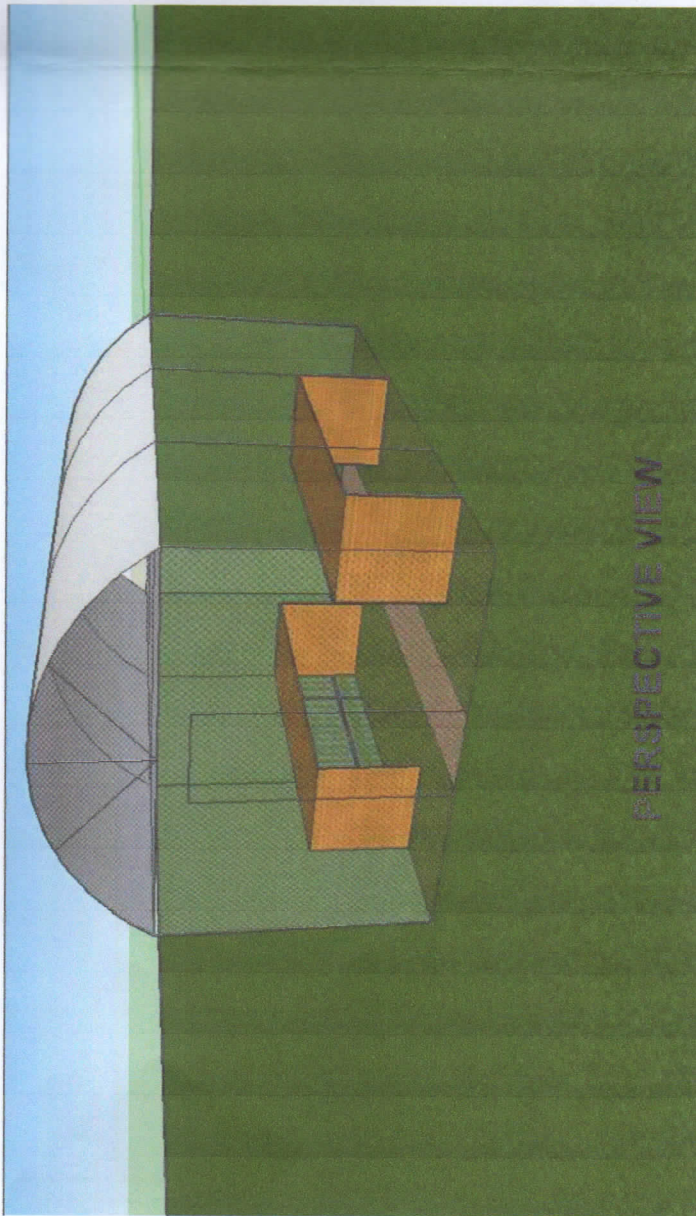
Signature over Printed Name of

Date

Cellphone No. / e-mail Address

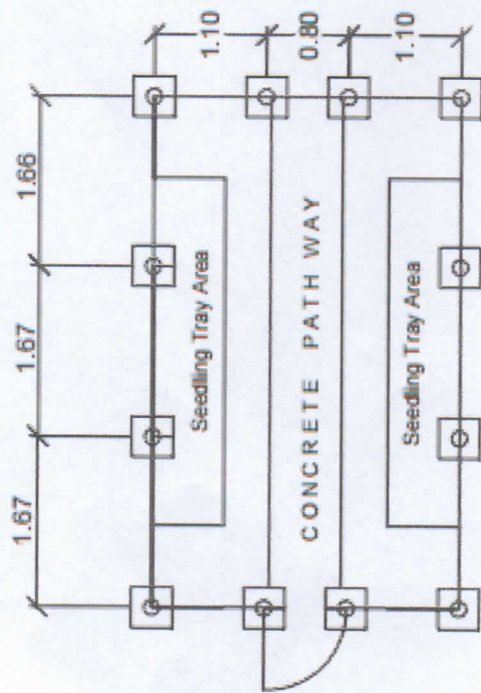
Name and Signature of Convasser

ESTABLISHMENT OF VEGETABLES NURSERY FOR NUPAP PROGRAM

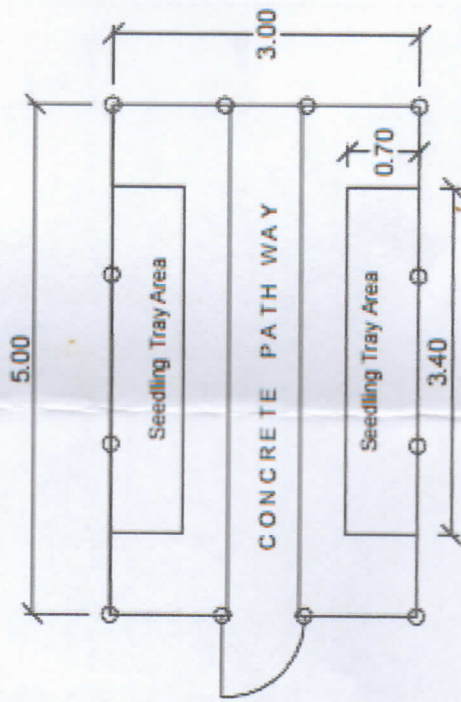


Materials Specifications:

1. Roof is made of poly ethylene UV Plastic atleast 200 microns
2. Sidings materials is mosquito net
3. Seedling tray area is made of plastic screen with GI as reinforce
4. Concrete pathways
5. GI materials
6. 3x5meter
7. Concrete post
8. One door nursery



PLAN/ FOUNDATION PLAN
SCALE : 1 : 100 m



FLOOR PLAN
SCALE : 1 : 100 m