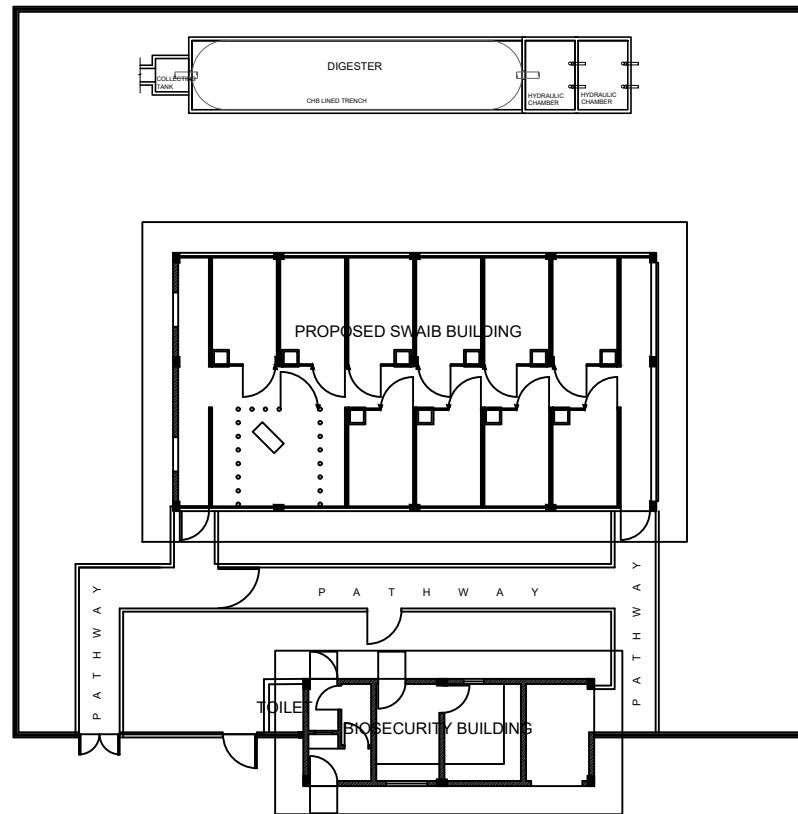


1
A-1 SCALE NTS. PERSPECTIVE



2
A-1 SCALE 1:125 M. SITE DEVELOPMENT PLAN

3
A-1 SCALE NTS. VICINITY MAP

TABLE OF CONTENTS

COVER SHEET	A1
PERSPECTIVE SITE DEVELOPMENT PLAN VICINITY MAP	
ARCHITECTURAL	A2
GROUND FLOOR PLAN FRONT ELEVATION LEFT ELEVATION RIGHT ELEVATION REAR ELEVATION CROSS SECTION LONGITUDINAL SECTION	
ARCHITECTURAL	A3
ROOF LAYING PLAN CROSS SECTION DETAIL GATE DETAIL	
ARCHITECTURAL	A4
BIO-SECURITY FLOOR PLAN BIO-SECURITY ROOF PLAN FRONT ELEVATION LEFT ELEVATION RIGHT ELEVATION REAR ELEVATION CROSS SECTION LONGITUDINAL SECTION	
STRUCTURAL	S1
FOUNDATION PLAN ROOF FRAMING PLAN CEILING JOIST BAY SECTION ROOF BEAM DETAILS COLUMN AND FOOTING DETAIL TRUSS DETAIL WALL FOOTING DETAIL	
STRUCTURAL	S2
FOUNDATION PLAN ROOF FRAMING PLAN ROOF BEAM DETAILS TRUSS DETAILS COLUMN AND FOING DETAILS	
ELECTRICAL	E1
LIGHTING LAYOUT PLAN POWER LAYOUT PLAN SCHEDULE OF LOADS GENERAL NOTES & SPECIFICATIONS LEGEND & SYMBOLS RISER DIAGRAM TYPICAL PANEL BOX DETAIL SERVICE ENTRANCE MOUNTING DETAIL	
SANITARY	P1
WATERLINE PLUMBING LAYOUT SEWERLINE PLUMBING LAYOUT CANAL DETAILS	
SANITARY	P2
SEWERLINE PLUMBING LAYOUT ISOMETRIC PLUMBING LAYOUT SEPTIC TANK DETAILS	
SANITARY	P3
DIGESTER DETAILS	

REPUBLIC OF THE PHILIPPINES
DEPARTMENT OF PUBLIC WORKS
TRANSPORTATION AND COMMUNICATION

LAND USE AND ZONING

LINE AND GRADE

ARCHITECTURAL

STRUCTURAL

SANITARY

ELECTRICAL

ELECTRONICS

THESE DRAWINGS ARE THE SOLE PROPERTY OF THE ARCHITECT. NO COPIES, SIMILAR REPRODUCTIONS, ALTERATIONS AND/OR REVISIONS OF ANY KIND ARE TO BE DONE, IN PART OR IN WHOLE TO ANY OF THESE DOCUMENTS, W/O CONSENT FROM THE ARCHITECT.

ENGINEER
BENITO J. MONTEALTO

PTR. NO. 6063117
TIN 125-495-951

DATE MAY 15, 2022
PLACE LIPA CITY

PROJECT TITLE
Swine Al Sa Barangay (SWAIB) Project

LOCATION :

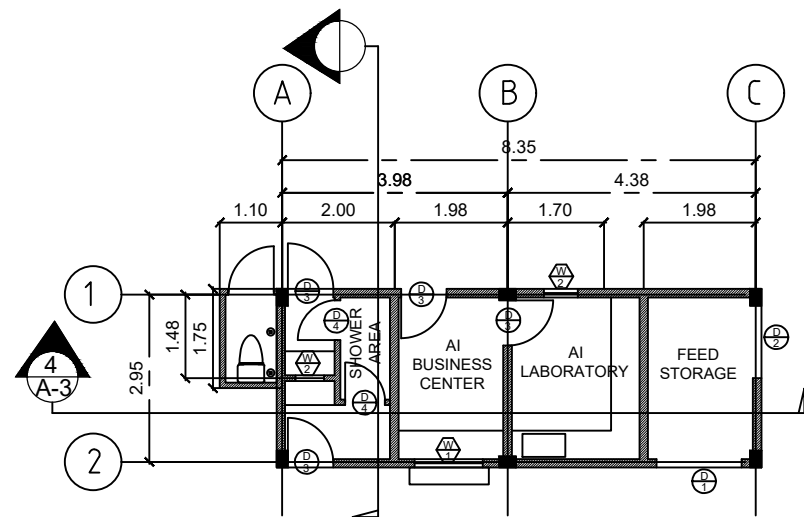
OWNER
ADDRESS :

APPROVED BY

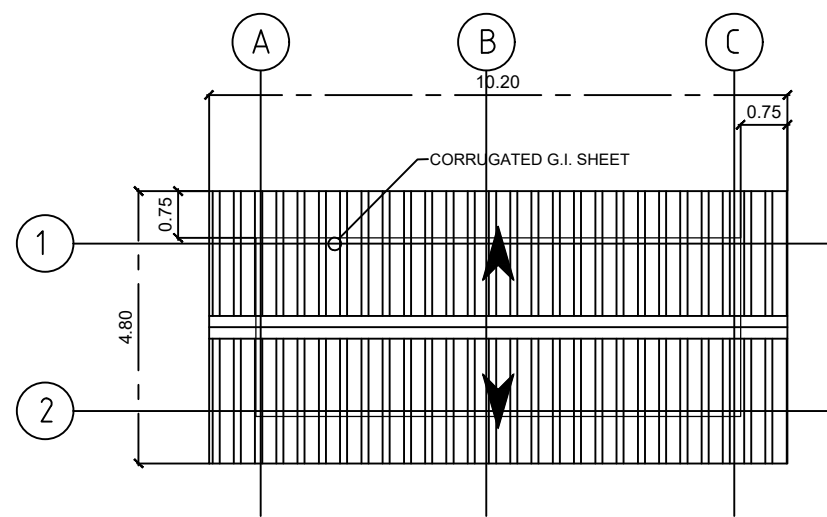
APPROVED BY
DR. RUTH MICLAT-SONACO
PROGRAM DIRECTOR
NATIONAL LIVESTOCK PROGRAM

NO.	REVISIONS	DATE	SHEET CONTENT
			AS SHOWN

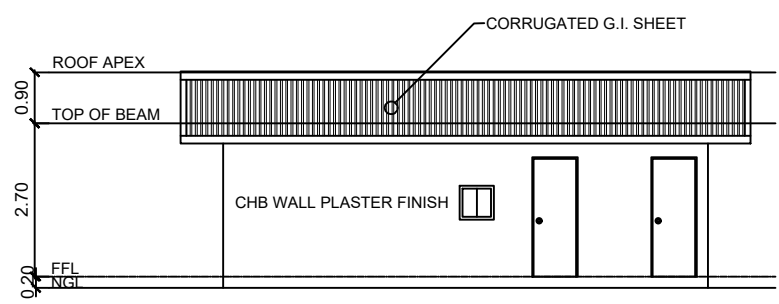
PROJECT NO.	SHEET NO.
	A 1



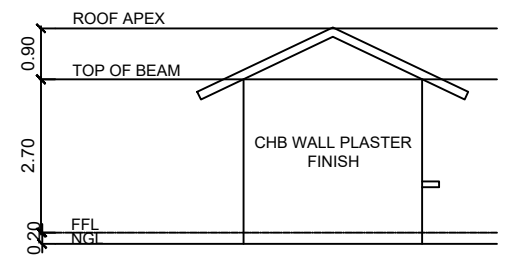
1 BIO-SECURITY FLOOR PLAN
 SCALE 1:75 M.



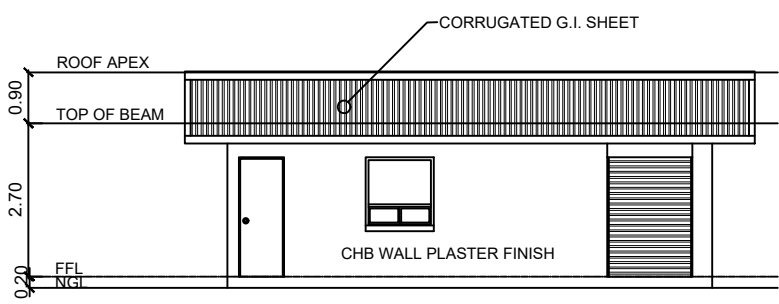
2 BIO-SECURITY ROOF PLAN
 SCALE 1:75 M.



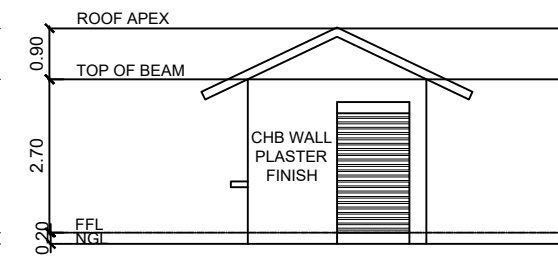
3 REAR ELEVATION
 SCALE 1:75 M.



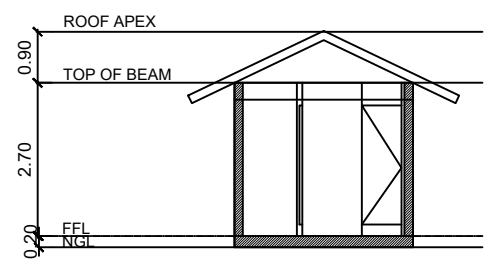
3 LEFT ELEVATION
 SCALE 1:75 M.



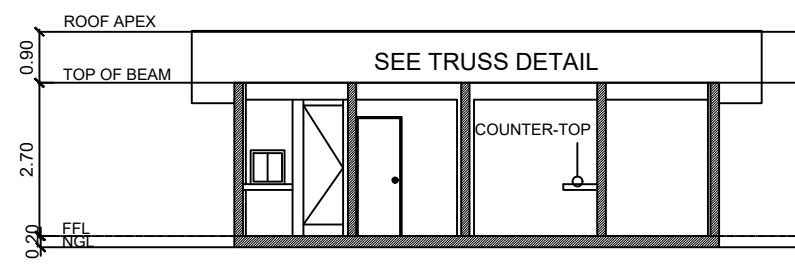
5 FRONT ELEVATION
 SCALE 1:75 M.



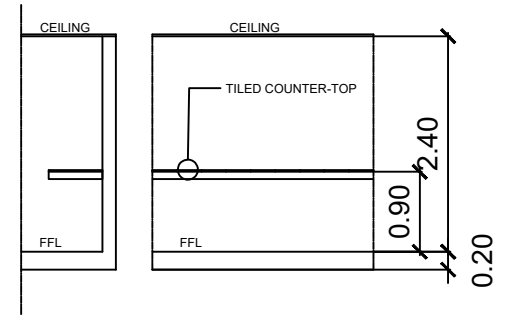
6 RIGHT ELEVATION
 SCALE 1:75 M.



7 CROSS SECTION
 SCALE 1:75 M.



8 LONGITUDINAL SECTION
 SCALE 1:75 M.



COUNTER-TOP DETAIL

THESE DRAWINGS ARE THE SOLE PROPERTY OF THE ARCHITECT. NO COPIES, SIMILAR REPRODUCTIONS, ALTERATIONS AND/OR REVISIONS OF ANY KIND ARE TO BE DONE, IN PART OR IN WHOLE TO ANY OF THESE DOCUMENTS, W/O CONSENT FROM THE ARCHITECT.

ENGINEER	PRC. NO. 057713	PROJECT TITLE	OWNER	APPROVED BY	APPROVED BY	NO.	REVISIONS	DATE	SHEET CONTENT	PROJECT NO.
BENITO J. MONTEALTO		Swine AI Sa Barangay (SWAIB) Project			DR. RUTH MICLAT-SONACO				AS SHOWN	
PTR. NO. 6063117	DATE MAY 15, 2022	LOCATION :	ADDRESS :		PROGRAM DIRECTOR					SHEET NO.
TIN 125-495-951	PLACE LIPA CITY				NATIONAL LIVESTOCK PROGRAM					A 4

